



## ■ 概述 Summary

HA (QA)、HP (QP) 系列隔离开关主要用于有高短路电流的配电电路和电动机电路中，作为手动不频繁操作的开关、隔离开关和应急开关，并作电路保护之用。开关可直接开闭电动机等高电感负载，特别适用于抽屉式开关柜的成套装置中。

本系列隔离开关由刀型静触头、滚动动触头及灭弧装置组成的接触系统均组装在由耐弧工程塑料制成的封闭底座内，能达到零飞弧。操作机构由具有弹簧储能的连杆传动机构构成，靠弹力完成开关的分、合，使开关动作无关人力操作。手柄由操作手柄和传动轴等构成，属旋转操作方式。当手柄旋转操作时，使操作机构弹簧储能，靠储能的弹簧力释放带动动触头与静触头形成合、分两种状态，从而达到开关分、合主电路的目的。

本开关的上部可装一个或二个辅助开关，每个辅助开关有一对电器上分开的常开触头和常闭触头，能使控制回路明确指示开关主电路的通断情况。

*Series HA(QA)、HP(QP) switch-disconnector are mainly applied in the distribution circuits and motor circuits with high short-circuit currents as the power switches. As the switch handle is in rotary operation, they are especially suitable for installation and application in drawer type switch cabinets. Technical performances confirm to standards IEC60947.3 and GB14048.3. This series switches are of closed structure design. The contact system is composed of static knife contacts, moving rolling contacts and arc quenching sets that are all fitted in the sealed case made of arc resistant engineering plastic and zero arc flash out is achieved. The switching mechanism is of reliable spring energy stored independent manual operation style. On the upper part of the switch utmost two auxiliary switches may be quipped in, each having a set of electrical separated normal open and normal closed contacts.*



HA (QA) 系列隔离开关



HP (QP) 系列隔离开关

## ■ 型号及其含义 Model denomination



- 辅助开关：“0” — 不带辅助开关  
Auxiliary switch: "0" — without auxiliary switch
- “1” — 带一个辅助开关  
"1" — with one auxiliary switch
- “2” — 带二个辅助开关  
"2" — with two auxiliary switches
- 极数 “3” — 3极  
Pole number "3" — 3-pole switch
- “3N” — 带固定连接中性极的3极开关  
"3N" — 3-pole switch with a fixed neutral connection bar
- “4” — 带可通断中性极的4极开关  
"4" — 4-pole-switch with a switchable neutral pole
- 约定发热电流  
Conventional thermal current
- 产品系列型号：HA(QA)或HP(QP)  
Type HA(QA) or HP(QP)

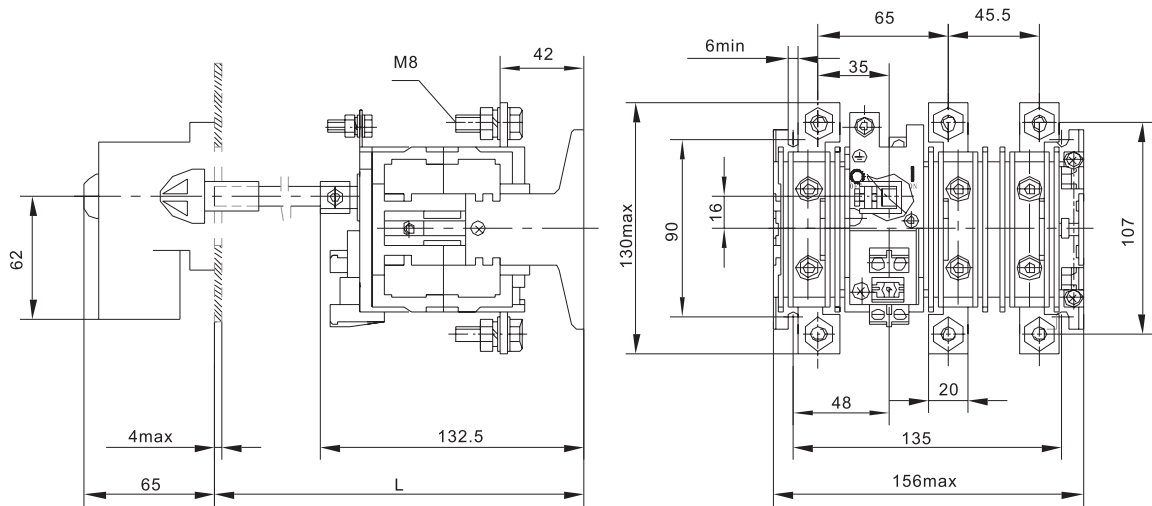
## ■ 主要技术指标 Technical data

产品标准	GB14048.3 IEC60947-3											
系列型号	HA(QA)						HP(QP)					
基本规格	125	160	200	400	630	1000	250	630	1000	1250	1600	
主电路极数	3、3N、4											
额定绝缘电压 $U_i$	V		~660									
额定工作电压 $U_e$	V		~380									
约定自由空气发热电流 $I_{th}$	A	125	160	200	400	630	1000	250	630	1000	1250	1600
额定工作电流 $I_e$	A	AC-23B						AC-22B				
		125	160	200	400	630	1000	250	630	630	800	800
额定冲击耐受电压 $U_{imp}$	kV	12										
额定短路接通能力 $I_{cm}$	kA	15		35			28	42		60		
额定短路耐受电流 $I_{cw}(1s)$	kA	4		15			50	32		50		
操作力矩	Nm	7.5		16			30	7.5		16		30
辅助开关额定电流A	380V AC-15	5										

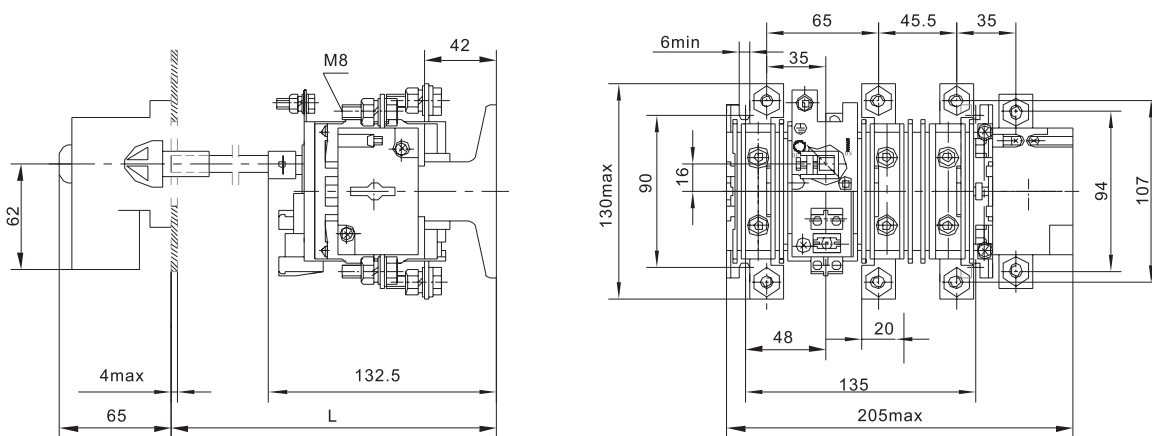


■ 外形及安装尺寸 Overall dimensions

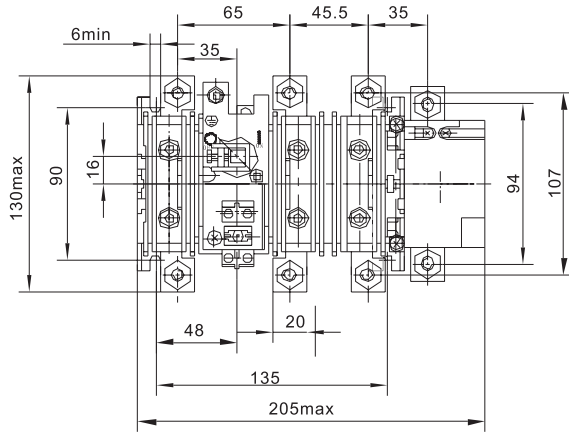
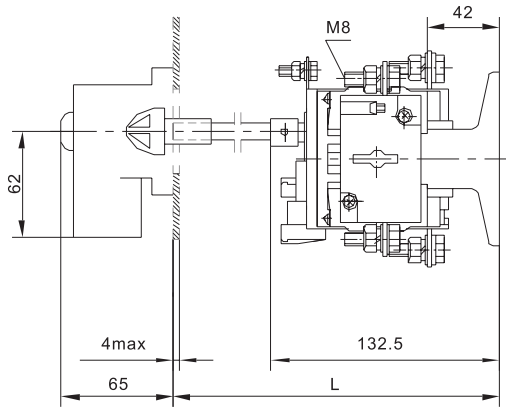
HA-125、160、200/3



HA-125,160,200/3N



**HA-125,160,200/4**

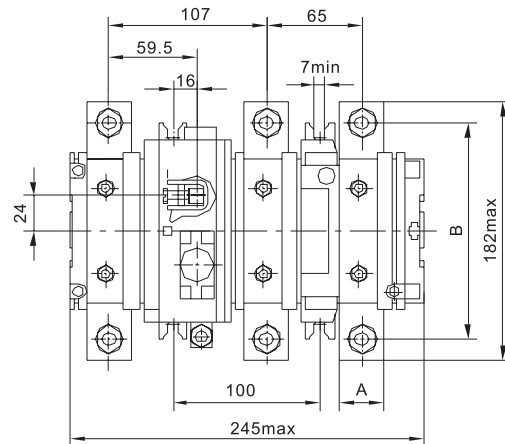
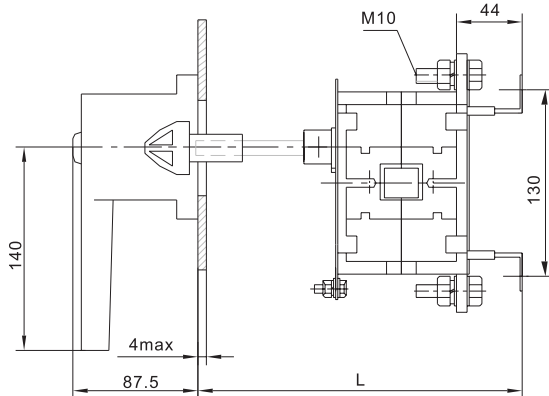


型号 Type	L		
HA-125,160,200	165-225	250-310	325-385

注: 有三档不同长度操作轴可选择, 以满足用户不同安装深度的需要, 用户于订货时未指明的, 按中档尺寸供货。

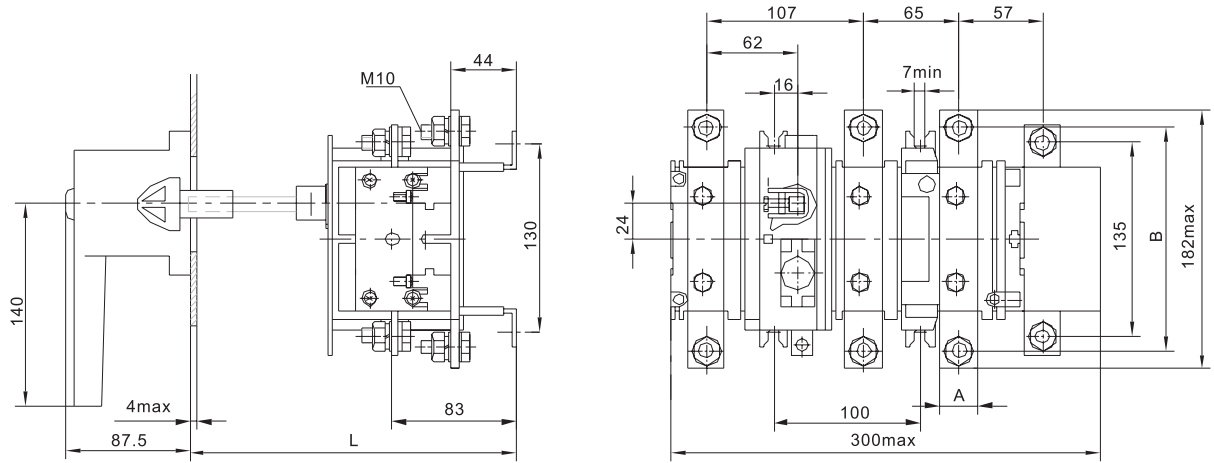
Note: There Lenghts of operating shaft are available Customer should declare his need in ordes.

**HA-400,630/3**

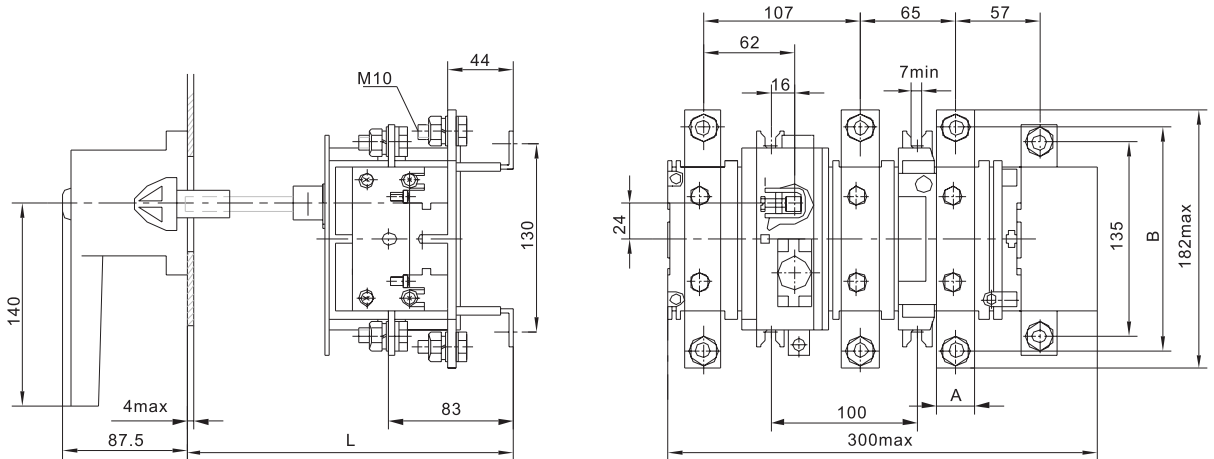




HA-400,630/3N



HA-400,630/4

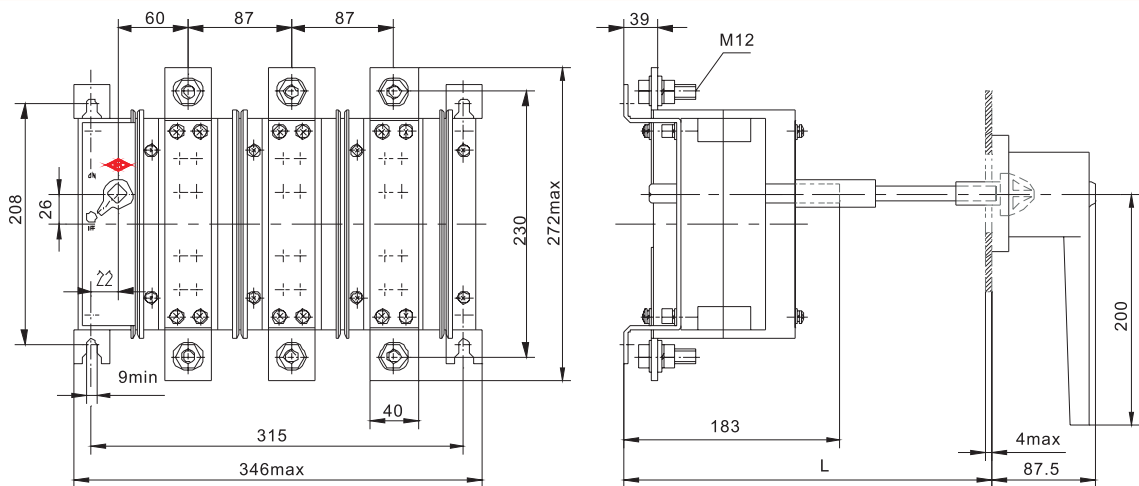


型号 Type	A	B	L	
HA-400	25	155	220-270	270-320 340-390
HA-630	30	150		

注: 有三档不同长度操作轴可选择, 以满足用户不同安装深度的需要, 用户于订货时未指明的, 按中档尺寸供货。

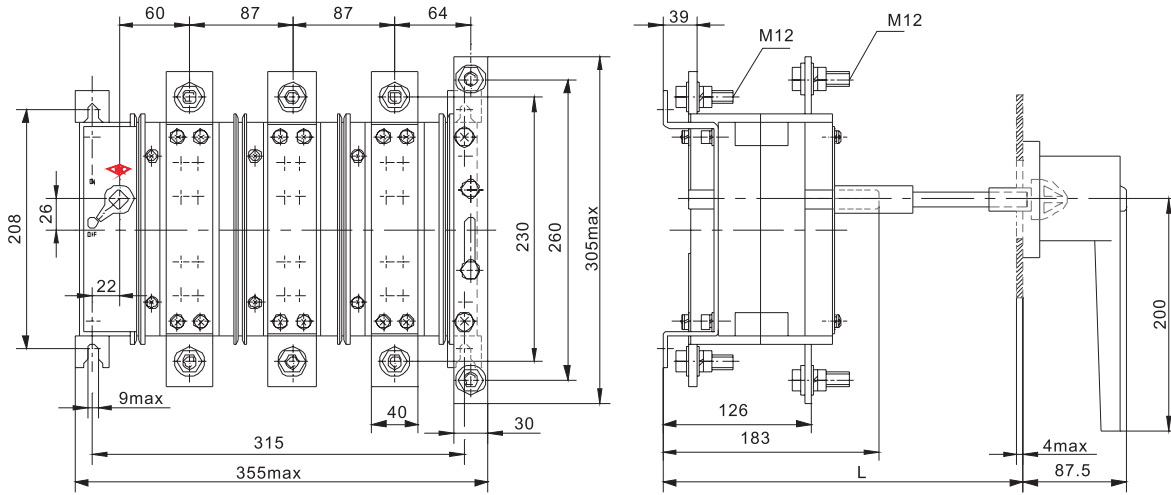
Note: There Lengths of operating shaft are available Customer should declare his need in ordes.

HA-1000/3





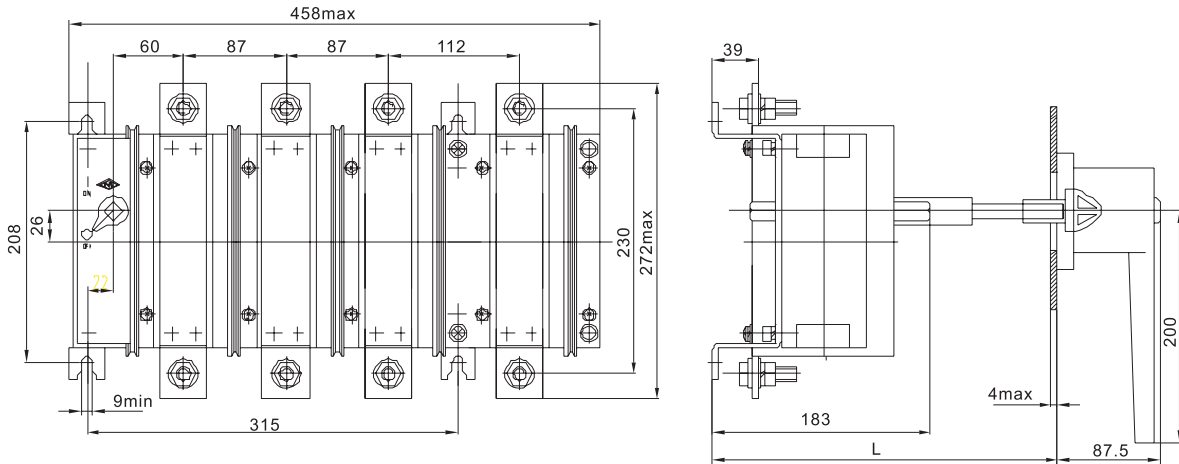
HA-1000/3N



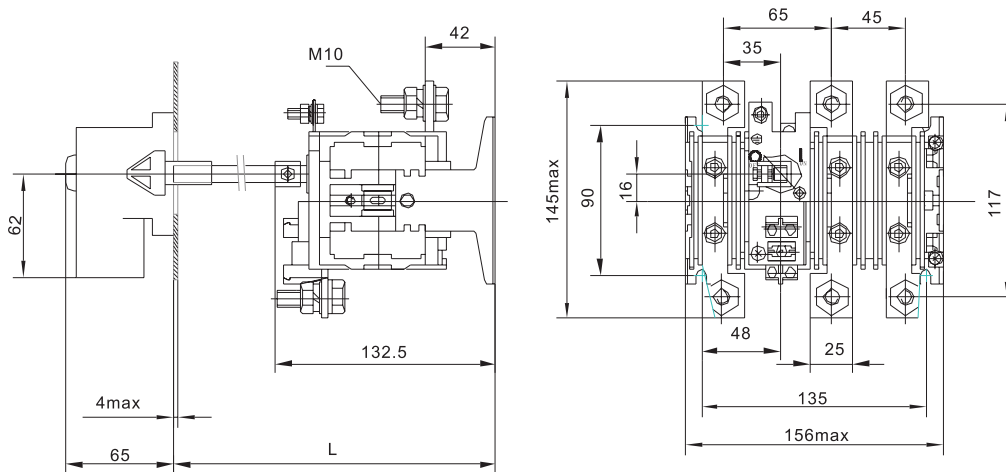
型号 Type	L		
HA-1000	260-290	290-320	320-350

注: 有三档不同长度操作轴可选择, 以满足用户不同安装深度的需要, 用户于订货时未指明的, 按中档尺寸供货。  
Note: There Lenghts of operating shaft are available Customer should declare his need in ordes.

HA-1000/4

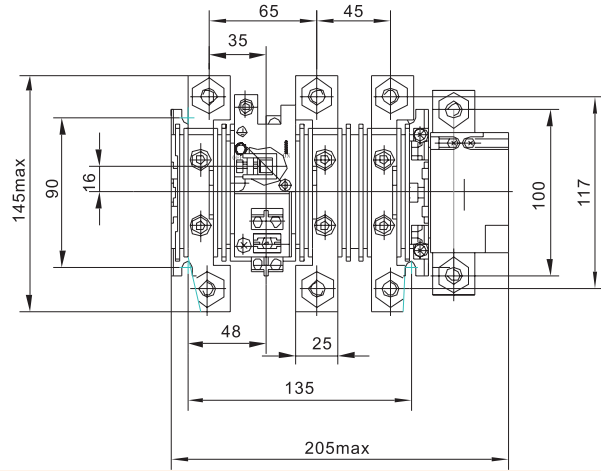
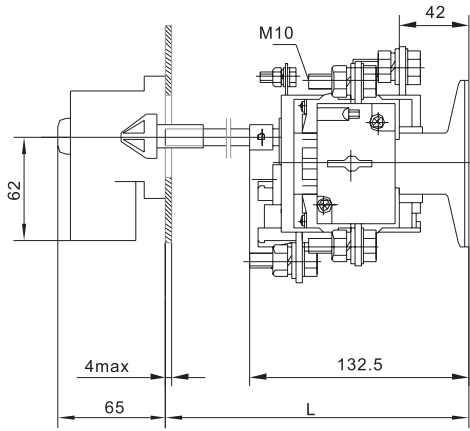


HP-250/3

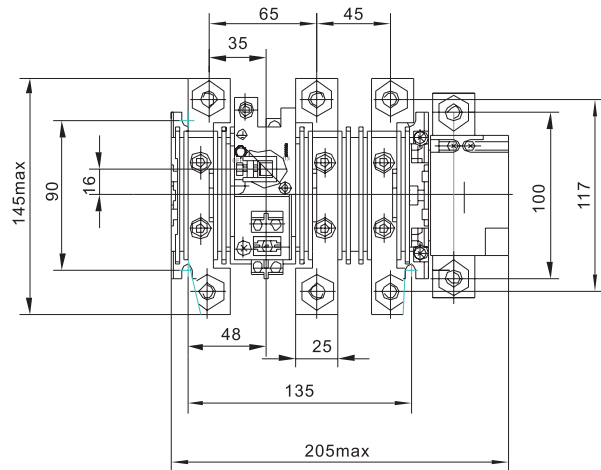
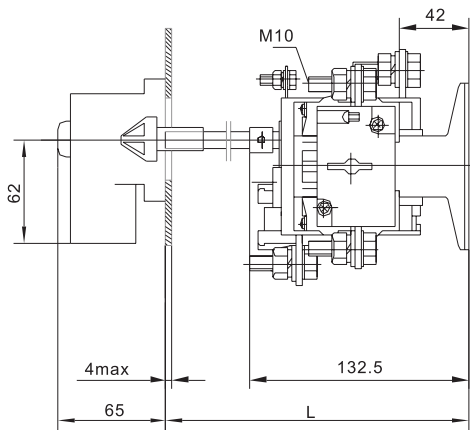




HP-250/3N



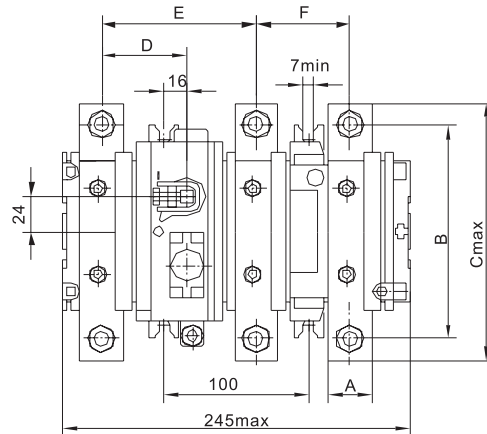
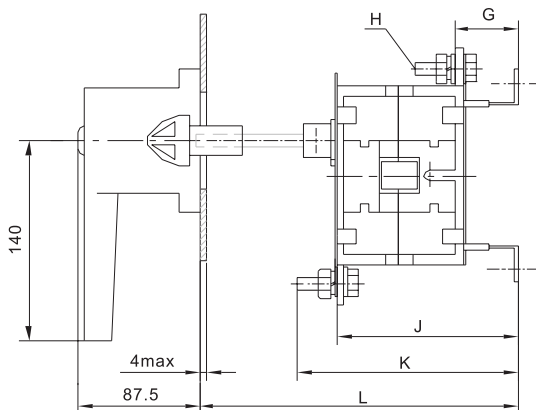
HP-250/4



型号 Type	L		
HP-250	165-225	250-310	325-385

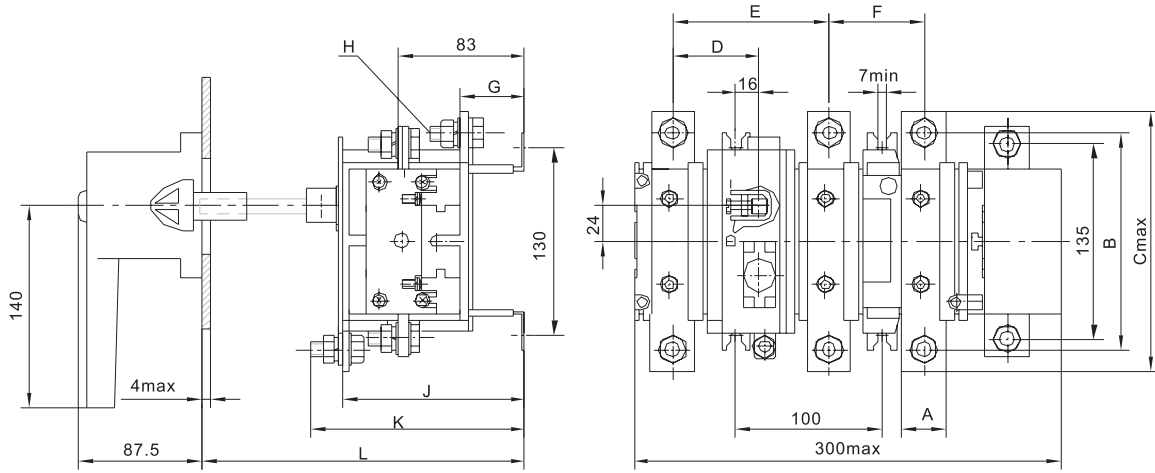
注: 有三档不同长度操作轴可选择, 以满足用户不同安装深度的需要, 用户于订货时未指明的, 按中档尺寸供货。  
Note: There Lenghts of operating shaft are available Customer should declare his need in ordes.

HP-630, 1000/3

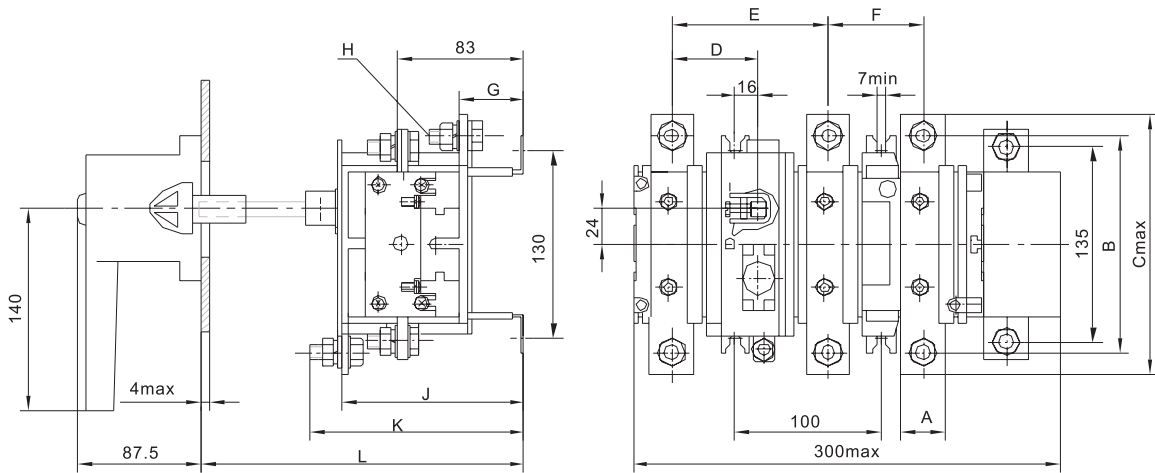




HP-630,1000/3N



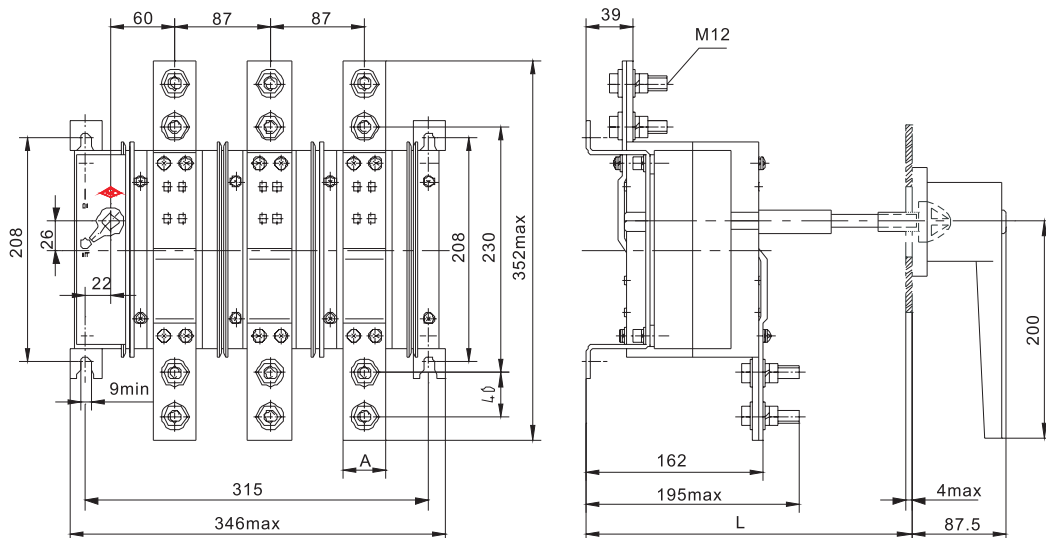
HP-630,1000/4



型号Type	A	B	C	D	E	G	H	J	K	L		
HP-630	30	140	170	59.5	107	44	M10	113	146	220-270	270-320	340-390
HP-1000	40	178	218	67	117	38	M12	114	152			

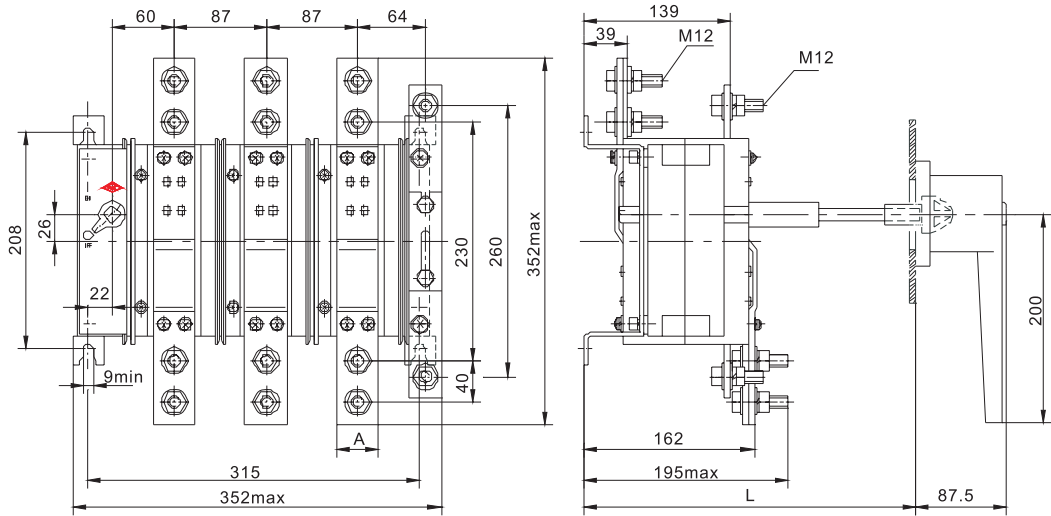
注：有三档不同长度操作轴可选择，以满足用户不同安装深度的需要，用户于订货时未指明的，按中档尺寸供货。  
Note: There Lengths of operating shaft are available Customer should declare his need in ordes.

HP-1250,1600/3

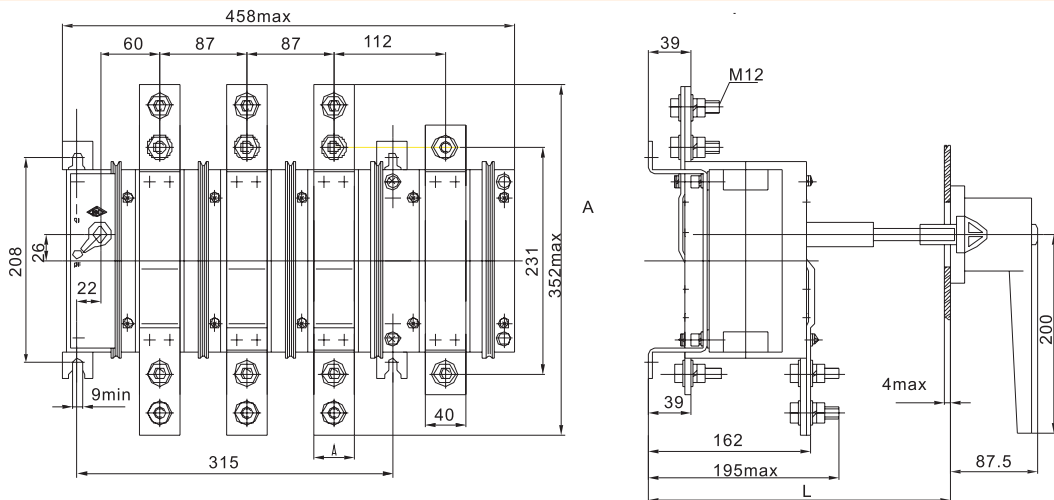




**HP-1250,1600/3N**



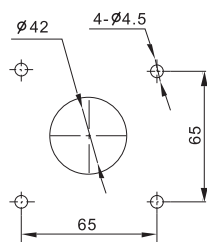
**HP-1250,1600/4**



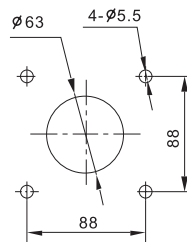
型号 Type	A	L	
HP-1250	40	260-290	290-320 320-350
HP-1600	50		

注: 有三档不同长度操作轴可选择, 以满足用户不同安装深度的需要, 用户于订货时未指明的, 按中档尺寸供货。  
Note: There Lengths of operating shaft are available Customer should declare his need in ordes.

**■ 面板手柄安装开孔尺寸 Panel apertures for the handle**



适用于 (For) HA-125~200/HP-250



适用于 (For) HA-400~1000/HP-630~1600